



We Tame Photons to Work for You!



Products > LEDs > Thru-Hole > Round > 4mm > High Dome



Features / Options

- ▶ State-of-the-Art, High Brightness Chip Technology
- ▶ Choice of Colors and Lens Finishes
- ▶ Lead Frame / Lens Casting Reliability
- ▶ Easy-to-Solder Leads, Tin Finish
- ▶ Available Bulk or on Tape and Reel
- ▶ Lead Trimming and Forming Available
- ▶ Custom Shapes, Easily Tooled, Low Minimum

Applications / Uses

- ▶ Board or Panel Indication or Illumination
- ▶ Annunciator and Control Panels
- ▶ Telecom Switches and Central Station Equipment
- ▶ Large Panel Indicators

Part Number:	Brightness	Dice Material	Emitted Color	Peak Wavelength	Epoxy Lens	Operating Typ Vf (V)	Intensity Typ, mcd @ 20 mA	View Angle 2x Theta		
SSL-LX4064GD	STANDARD	GaP	Green	565	Diffused	2.2	30	60		—
SSL-LX4064HD	STANDARD	GaP	Red	695	Diffused	2.0	4	20		—
SSL-LX4064ID	STANDARD	GaAsP	Red	635	Diffused	2.0	40	60		—
SSL-LX4064SID	HIGH	AllnGaP	Red	636	Diffused	2.0	200	60		—
SSL-LX4064SOD	HIGH	AllnGaP	Orange	610	Diffused	2.0	200	60		—
SSL-LX4064SRD	STANDARD	GaAlAs	Red	660	Diffused	1.7	80	60		—
SSL-LX4064SUGD	HIGH	AllnGaP	Green	574	Diffused	2.2	150	60		—
SSL-LX4064SYD	HIGH	AllanGaP	Yellow	590	Diffused	2.0	200	60		—
SSL-LX4064USBD	HIGH	InGaN	Blue	470	Diffused	3.5	150	60		—
SSL-LX4064YD	STANDARD	GaAsP	Yellow	585	Diffused	2.1	30	60		—

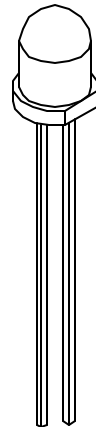
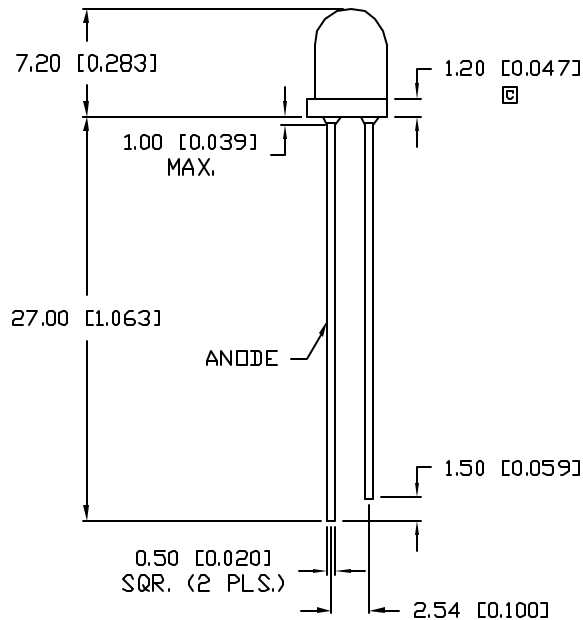
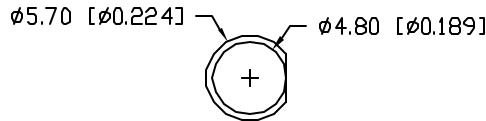
SSL-LX4073GD		STANDARD	GaP	Green	565	Diffused	2.1	30	60		—
SSL-LX4073GT		STANDARD	GaP	Green	565	Color Tinted	2.1	100	30		—
SSL-LX4073ID		STANDARD	GaAsP	Red	635	Diffused	2.1	40	60		—
SSL-LX4073IGW		STANDARD	GaAsP	Red/Green	635	White Diffused	2	40	60		—
SSL-LX4073IT		STANDARD	GaAsP	Red	635	Color Tinted	2	100	30		—
SSL-LX4073LID		STANDARD	GaAsP	Red	635	Diffused	1.9	40	60		—
SSL-LX4073SID		HIGH	AlInGaP	Red	636	Diffused	2.0	80	60		—
SSL-LX4073SOD		HIGH	AlInGaP	Orange	610	Diffused	2.0	400	60		—
SSL-LX4073SRD		STANDARD	GaAlAs	Red	660	Diffused	1.8	40	60		—
SSL-LX4073SRT		STANDARD	GaAlAs	Red	660	Color Tinted	1.7	250	30		—
SSL-LX4073SUGD		HIGH	AlInGaP	Green	574	Diffused	2.2	150	60		—
SSL-LX4073SYD		HIGH	AlInGaP	Yellow	590	Diffused	2.0	300	60		—
SSL-LX4073USBD		HIGH	InGaN	Blue	470	Diffused	3.5	150	60		—
SSL-LX4073YD		STANDARD	GaAsP	Yellow	585	Diffused	2.1	30	60		—
SSL-LX4073YT		STANDARD	GaAsP	Yellow	585	Color Tinted	2.1	90	30		—

UNCONTROLLED DOCUMENT

PART NUMBER
SSL-LX4073GD

REV.
C

REV.	E.C.N. NUMBER AND REVISION COMMENTS	DATE
A	UPDATED SPECS, REDRAWN.	11.1.94
B	E.C.N. #10BRDR. & REDRAWN IN 3D.	5.8.01
C	E.C.N. #10886.	7.11.02



ELECTRO-OPTICAL CHARACTERISTICS $T_A=25^{\circ}\text{C}$ $I_f=20\text{mA}$

PARAMETER	MIN	TYP	MAX	UNITS	TEST COND
PEAK WAVELENGTH		565		nm	
ⓧ FORWARD VOLTAGE		2.2	2.6	V_f	
REVERSE VOLTAGE	5.0			V_r	$I_r=100\mu\text{A}$
ⓧ AXIAL INTENSITY		30		med	$I_f=20\text{mA}$
VIEWING ANGLE		60		2x theta	
EMITTED COLOR:	GREEN				
EPOXY LENS FINISH:	GREEN DIFFUSED				

ⓧ LIMITS OF SAFE OPERATION AT 25°C

PARAMETER	MAX	UNITS
PEAK FORWARD CURRENT*	150	mA
STEADY CURRENT	25	mA
POWER DISSIPATION	105	mW
DERATE FROM 25°C	-1.2	mW/ $^{\circ}\text{C}$
OPERATING, STORAGE TEMP.	-40 TO +85	$^{\circ}\text{C}$
SOLDERING TEMP.	+260	$^{\circ}\text{C}$
2.0mm FROM BODY		3 SEC. MAX

* $t < 10\mu\text{s}$

*UNLESS OTHERWISE SPECIFIED TOLERANCES PER DECIMAL PRECISION ARE: X=±1 (±0.039), XX=±0.5 (±0.020), XXX=±0.25 (±0.010), XXXX=±0.127 (±0.005). LEAD SIZE=±0.05 (±0.002), LEAD LENGTH=±0.75 (±0.030). MIN= ^{+0.00} -0.00 DECIMAL PRECISION MAX= ^{+0.00} -0.00 DECIMAL PRECISION

UNCONTROLLED DOCUMENT

REV. C	PART NUMBER SSL-LX4073GD	<p>CONFIDENTIAL INFORMATION</p> <p>THE INFORMATION CONTAINED IN THIS DOCUMENT IS THE PROPERTY OF LUMEX INC. EXCEPT AS SPECIFICALLY AUTHORIZED IN WRITING BY LUMEX INC., THE HOLDER OF THIS DOCUMENT SHALL KEEP ALL INFORMATION CONTAINED HEREIN CONFIDENTIAL AND SHALL PROTECT SAME IN WHOLE OR IN PART FROM DISCLOSURE AND DISSEMINATION TO ALL THIRD PARTIES.</p> <p>RELIABILITY NOTE</p> <p>OUR MANY YEARS OF EXPERIENCE DATA ACCUMULATION INDICATE THAT SOLDER HEAT IS A MAJOR CAUSE OF EARLY AND FUTURE FAILURE. PLEASE PAY ATTENTION TO YOUR SOLDERING PROCESS.</p>	
T-4.7mm 565nm GREEN LED, GREEN DIFFUSED LENS.		DRAWN BY: BC CHECKED BY: APPROVED BY:	DATE: 10.26.90 PAGE: 1 OF 1 SCALE: N/A